

**AIR BRAKE SERVICES
TRAILQUIP**

1898 Ipswich Rd, Rocklea
QLD, 4106, Australia
www.abstrailquip.com

T.: (07) 3274 6046
F.: (07) 3274 6048

ABN: 89 126 053 521

Air Brakes Axles Suspensions Rims Lights Landing Legs

REV	DESCRIPTION OF CHANGE	DATE	INITIALS	APPROVED

Copyright © ABS Trailquip Pty Ltd

ALL RIGHTS RESERVED. THE INFORMATION IN THIS DOCUMENT IS SUBJECT TO TERMS AND CONDITIONS OF THE AGREEMENT OR CONTRACT UNDER WHICH THE DOCUMENT WAS SUPPLIED TO THE RECIPIENT'S ORGANISATION. NO INFORMATION IN THIS DOCUMENT OR PART OF THIS DOCUMENT SHALL BE:
(A) DISCLOSED OUTSIDE RECIPIENT'S OWN ORGANISATION
(B) REPRODUCED OR TRANSMITTED IN ANY WAY OR STORED IN ANY RETRIEVAL SYSTEM WITHOUT PRIOR WRITTEN CONSENT OF ABS TRAILQUIP PTY LTD.

MANUFACTURING TOLERANCES	
FABRICATION	
0 - 500:	+0,-1
501 - 2000:	+0,-2
2001 - 5000:	+0,-2
> 5000:	+0,-5
DRILL HOLE	
6 - 12 MM:	+0.2,-0
13 - 20 MM:	+0.3,-0
20 - 26 MM:	+0.3,-0
26 - 39 MM:	+0.4,-0
MACHINING	
0 =	+ / - 0.5MM
0.0 =	+ / - 0.1MM
0.00 =	+ / - 0.05MM

DRAWN
WW

CHECKED

MFG

APPROVED

SHEET 1 OF 2

16/04/2020

SCALE
1 / 6

SIZE
A3



PROJECT / JOB

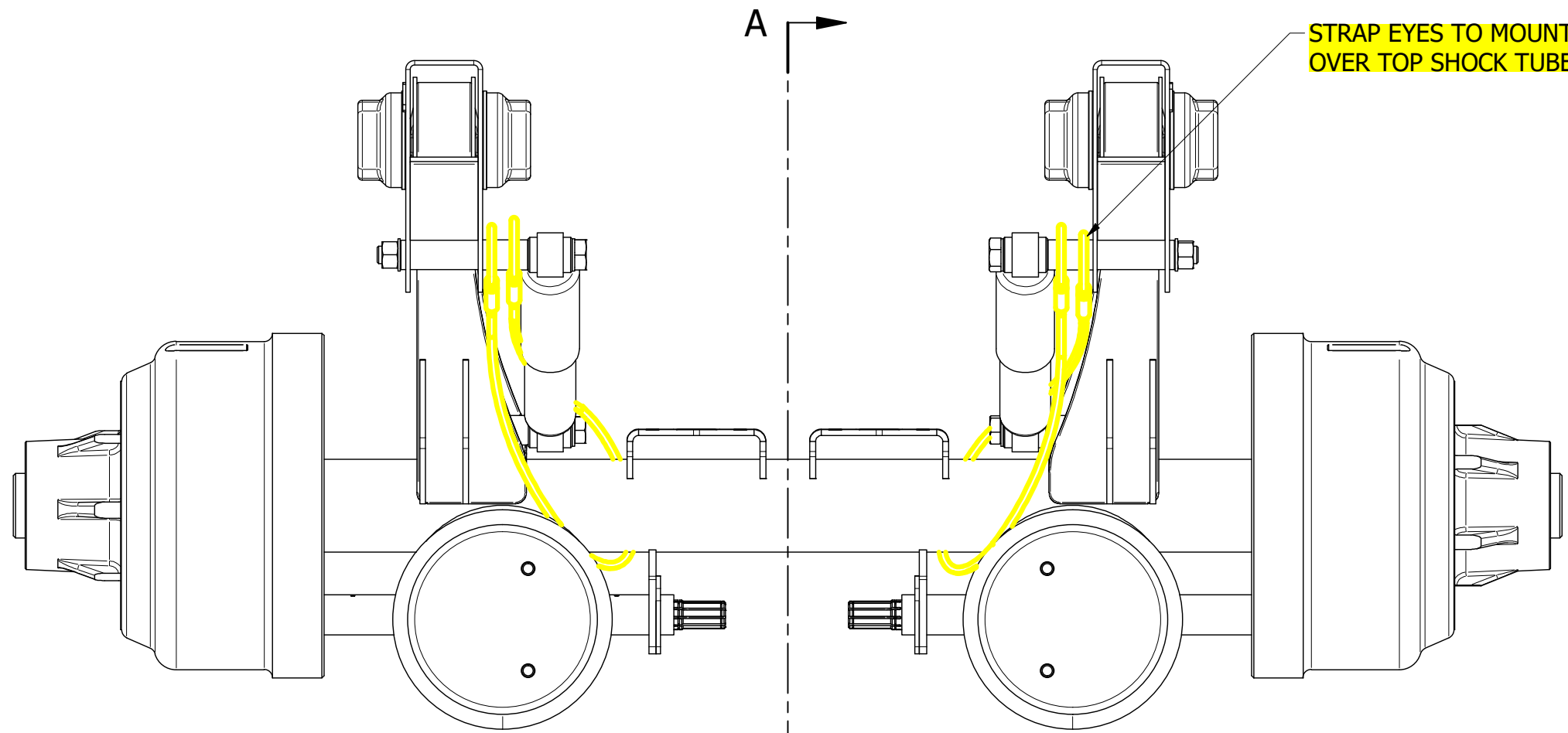
STABILITY+

TITLE

**Stability+ Air Suspension
Arrangement**

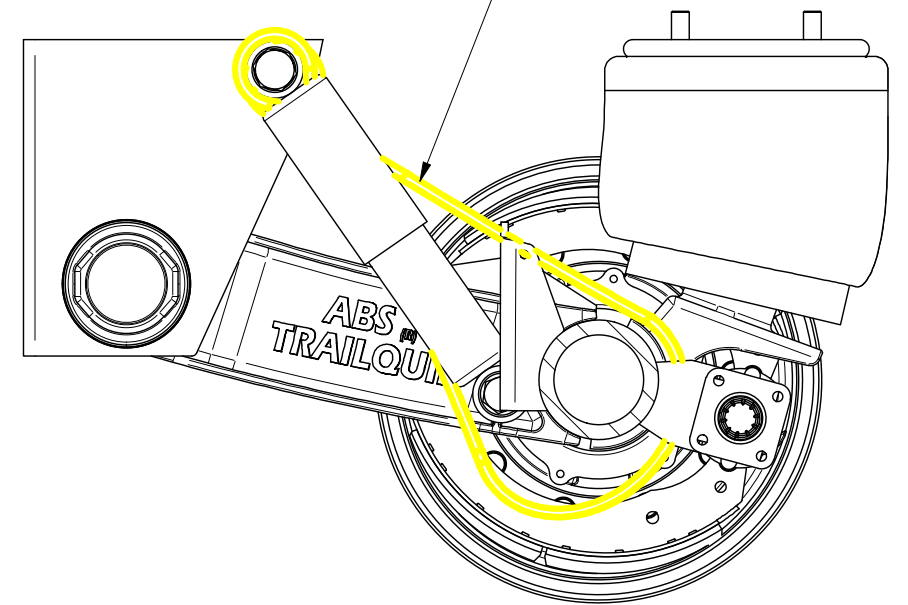
PART NUMBER

TQA-SF018-1-360



STRAP EYES TO MOUNT OVER TOP SHOCK TUBE

ENSURE AXLE SAFETY STRAP WRAPS AROUND AXLE AND SHOCK ABSORBER



SECTION A-A

**AIR BRAKE SERVICES
TRAILQUIP**

1898 Ipswich Rd, Rocklea
QLD, 4106, Australia
www.abstrailquip.com

T.: (07) 3274 6046
F.: (07) 3274 6048

ABN: 89 126 053 521

Air Brakes Axles Suspensions Rims Lights Landing Legs

REV	DESCRIPTION OF CHANGE	DATE	INITIALS	APPROVED

Copyright © ABS Trailquip Pty Ltd

ALL RIGHTS RESERVED. THE INFORMATION IN THIS DOCUMENT IS SUBJECT TO TERMS AND CONDITIONS OF THE AGREEMENT OR CONTRACT UNDER WHICH THE DOCUMENT WAS SUPPLIED TO THE RECIPIENT'S ORGANISATION. NO INFORMATION IN THIS DOCUMENT OR PART OF THIS DOCUMENT SHALL BE:
(A) DISCLOSED OUTSIDE RECIPIENT'S OWN ORGANISATION
(B) REPRODUCED OR TRANSMITTED IN ANY WAY OR STORED IN ANY RETRIEVAL SYSTEM WITHOUT PRIOR WRITTEN CONSENT OF ABS TRAILQUIP PTY LTD.

MANUFACTURING TOLERANCES	
FABRICATION	
0 - 500:	+0,-1
501 - 2000:	+0,-2
2001 - 5000:	+0,-2
> 5000:	+0,-5
DRILL HOLE	
6 - 12 MM:	+0.2,-0
13 - 20 MM:	+0.3,-0
20 - 26 MM:	+0.3,-0
26 - 39 MM:	+0.4,-0
MACHINING	
0 =	+ / - 0.5MM
0.0 =	+ / - 0.1MM
0.00 =	+ / - 0.05MM

DRAWN
WW

CHECKED

MFG

APPROVED

SHEET 2 OF 2

16/04/2020

CHECKED

MFG

APPROVED

SHEET 2 OF 2

SHEET 2 OF 2

SCALE
1 / 8

SIZE
A3

CHECKED

MFG

APPROVED

SHEET 2 OF 2

SCALE
1 / 8



PROJECT / JOB

STABILITY+

TITLE

Stability+ Air Suspension
Arrangement

PART NUMBER

TQA-SF018-1-360