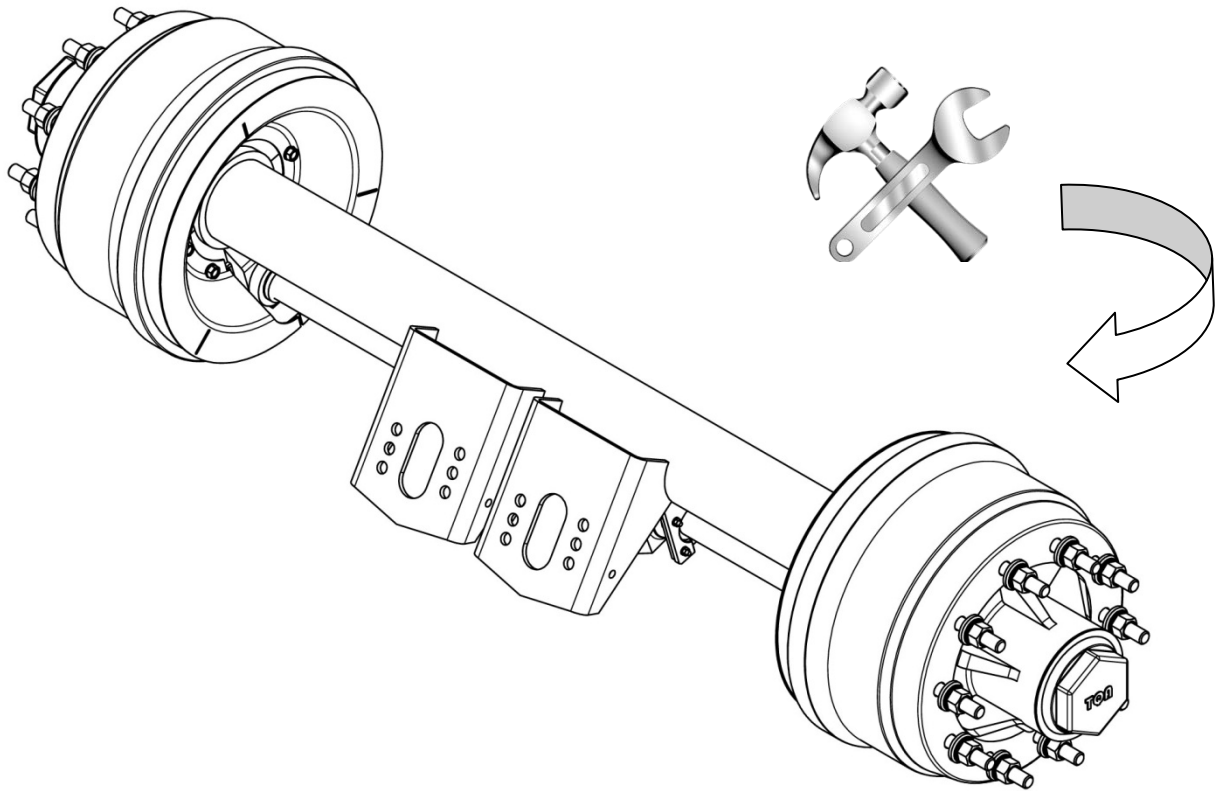


TRAILQUIP AXLE MAINTENANCE SCHEDULE

20" Spider, 335, 285, 225 PCD Parallel Bearing Axles



Check & tight every nuts and bolts after "Break In" period of approximately 1000 to 3000 miles (Or 1600 to 4800 kms) and annually or 100,000 kms thereafter.

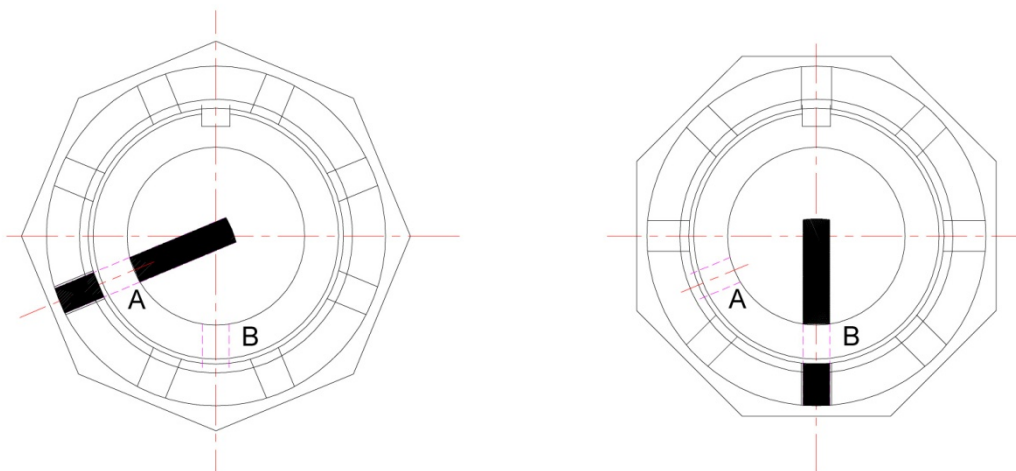
<i>Periodic Maintenance</i>		
Brake Chamber Nut	100 - 110 ft-lbs	136 - 149 Nm
Wheel Nut Torque	450 - 500 ft-lbs	610 - 678 Nm
Check Grease Cap for tension		
Check Bearing Grease every 12 Months		

Wheel Bearing Adjustment (3.5" Castellated Nut)

We recommend that all axles should have the wheel bearings adjusted initially after the first 5,000 km and then at 100,000 km intervals. This does not preclude the need for inspection and adjustment as necessary every 25,000 km if service conditions require this.

The recommended wheel bearing adjustment procedure is:-

- i) Make sure that the hub revolves freely and if necessary temporarily slacken off the brake adjustment to ensure complete freedom from brake binding (drag).
- ii) Rotate the hub at the same time tightening the bearing adjusting nut. Continue until a binding is felt and a torque setting of 350-400 Nm is reached.
- iii) Slacken the nut back by ONE slot (or by 45°). If there is no slot line up with any pin hole ("A" or "B", the angle between "A" & "B" is 67.5°), loose the nut slightly until nearest pin hole is reached. Insert split pin through the hole and bend the pin.
- iv) After adjustment, bearing end play is 0.025-0.13mm.



Important : If too tight or too loose, re-adjust.

Recommended Lube: CALTEX Lipler EP2